

HVAC CONTROL PRODUCTS
Sensors

Carbon Dioxide

CD-Pxx

Duct Mount

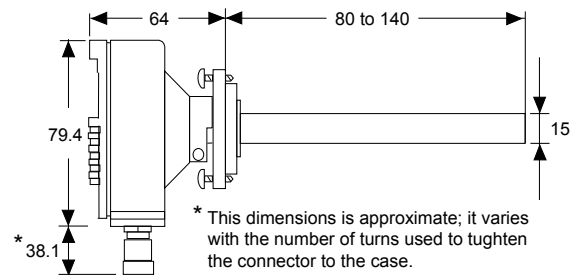
The CD-Pxx series duct mount CO₂ sensors feature a carbon Dioxide (CO₂) transmitter for measuring and transmitting CO₂ levels, ranging from 0 to 2,000 parts per million (ppm), within Heating Ventilating and Air Conditioning (HVAC) CO₂ applications.

Specific HVAC CO₂ applications include Demand Control Ventilation (DCV), fresh air and indoor Air Quality (IAQ), and rooftop air handling economizer controls system.

The device produce 0 to 10 V (default) 0 to 20 mA or 4 to 20 mA signal.

Features

- Power supply: 20 to 30 VAC (18 to 30 VDC), class 2
- Response time (0 to 63%): 1 minute
- Accuracy at 25 °C: ± 30 ppm + 2.0% of reading
- Operating temperature range: -5 to 45 °C
- Humidity range: 0 to 85%



Dimensions in mm

| Ordering Codes | Description |
|----------------|---|
| CD-P00-00-0 | Duct mount CO ₂ transmitter |
| CD-PR0-00-0 | Duct mount CO ₂ transmitter with relay |

Replacement Parts

| Ordering Codes | Description |
|----------------|---|
| ACC-CD-R | Relay output module for use in CD-P00-00-0 or CD-PR0-00-0 |
| ACC-CD-CFK1 | Conduit adaptor kit |

Accessories

| Ordering Codes | Description |
|----------------|--|
| ACC-CD-S | Relay setpoint software kit; includes software and interface cable to reset the on and off relay setpoints for CD-PR0-00-0 |

HVAC CONTROL PRODUCTS
Sensors

Carbon Dioxide

CD-W00

Wall Mount

The CD-W00 series wall mount CO₂ sensors feature a carbon dioxide (CO₂) transmitter for measuring and transmitting CO₂ levels, ranging from 0 to 2,000 parts per million (ppm), within heating ventilating, and air conditioning (HVAC) CO₂ applications.

Specific HVAC CO₂ applications include Demand Control Ventilation (DCV), fresh air and Indoor Air Quality (IAQ), and rooftop air handling economizer controls system.

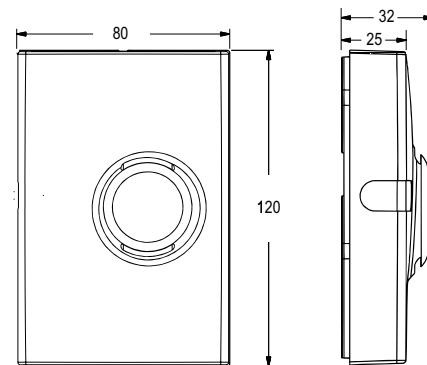
This compact devices produces 0 to 10 V (default), 0 to 20 mA and 4 to 20 mA signals.

They are designed to work in stand-alone mode, connected to Metasys® system, as part on any integrated Building Automation System (BAS) and are easy to install and requires no maintenance or field calibration.



Features

- Power supply: 20 to 30 VAC (18 to 30 VDC), class 2
- Response time (0 to 63%): 1 minute
- Accuracy at 25 °C: ± 50 ppm + 3.0% of reading
- Operating temperature range: -5 to 45 °C
- Humidity range: 0 to 85%



Dimensions in mm

| Ordering Codes | Description |
|----------------|--|
| CD-W00-00-1 | Wall mount CO ₂ transmitter |

Accessories

| Ordering Codes | Description |
|----------------|----------------------------------|
| ACC-DWCLIP-0 | Drywall spring-clip mounting kit |

HVAC CONTROL PRODUCTS
Sensors

Carbon Dioxide

CD-WAx and CD-WRx

Wall Mount

The CD-WAx and CD-WRx series wall mount CO₂ sensors feature a carbon dioxide (CO₂) transmitter for measuring and transmitting CO₂ levels, ranging from 0 to 2,000 parts per million (ppm), within Heating Ventilating and Air Conditioning (HVAC) CO₂ applications.

Specific HVAC CO₂ applications include Demand Control Ventilation (DCV), fresh air and indoor Air Quality (IAQ), and rooftop air handling Economizer controls system. This compact devices produces 0 to 10 V (default), 0 to 20 mA and 4 to 20 mA signals.

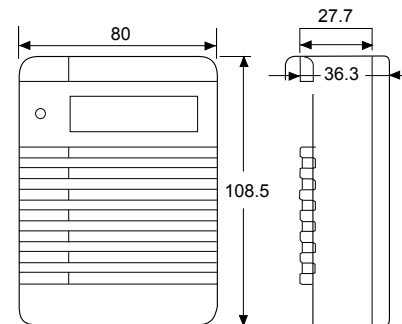
They are designed to work in stand-alone mode, connected to Metasys® system, as part on any integrated Building Automation System (BAS) and are easy to install and requires no maintenance or field calibration field calibration.



Features

- Power supply: 20 to 30 VAC (18 to 30 VDC), class 2
- Response time (0 to 63%): 1 minute
- Accuracy at 20 °C: ± 30 ppm + 2.0% of reading
- Operating temperature range: -5 to 45 °C
- Humidity range: 0 to 85%
- Analog temperature output: Linear 0 to 10 VDC for 0 to 50 °C
- Relay Output: Maximum 30 V, 0.5A, Class 2

| Ordering Codes | Description |
|----------------|--|
| CD-WA0-00-0 | Transmitter with analog temperature output |
| CD-WR0-00-0 | Transmitter with relay |
| CD-WRD-00-0 | Transmitter with relay and display |



Dimensions in mm

Replacement Parts

| Ordering Codes | Description |
|----------------|---|
| ACC-CD-A | Analog temperature module for CD-WA0-00-0 only |
| ACC-DWCLIP-0 | Drywall spring-clip mounting kit |
| ACC-CD-DR | Replacement relay and display module for CD-WRD-00-0 only |
| ACC-CD-R | Relay output module for CD-WR0-00-0 |

Accessories

| Ordering Codes | Description |
|----------------|---|
| ACC-CD-S | Relay setpoint software kit; includes software and interface cable to reset the on and off relay setpoints for CD-WR0-00-0 or CD-WRD-00-0 |