

## HVAC CONTROL PRODUCTS

### Valves

## Terminal Unit Valves

### V5000

DN10...20, PN16

These valves are primarily designed to regulate the flow of water and steam in response to the demand of a controller in zone and terminal unit applications.

Following actuators are available:

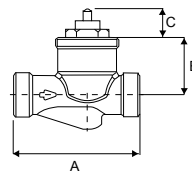
VA-707x ON/OFF thermal;

VA-709x thermal 0...10 VDC;

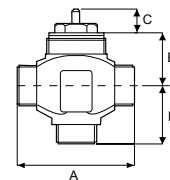
VA-748x floating and proportional electric.

### Features

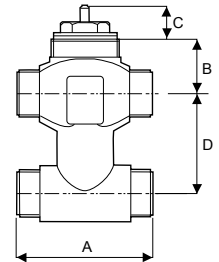
- Forged brass body, stainless steel stem and spring
- Kvs 0.16...5
- 2-way PDTC (normally open),  
3-way mixing and 3-way diverting  
and 3-way mixing and 3-way diverting  
with built-in bypass configurations
- Fluid temperature 2...120 °C
- BSPP and compression fitting body connections
- Inherent flow characteristic: equal percentage
- Rangeability 50:1



2-way valve



3-way valve



3-way bypass valve

### Dimensions in mm

Body Size	Connection Size	A	B	C	D
<b>2-way (Normally Open) Configuration</b>					
DN10	1/2"	60	27.5	15.5	---
DN15	3/4"	65	33.7		
DN20	1"				
<b>3-way Mixing/Diverting Configuration</b>					
DN10	1/2"	60	27	15.2	30
DN15	3/4"				
DN20	1"				
<b>3-way Mixing/Diverting with built-in bypass Configuration</b>					
DN10	1/2"	60	27	15.2	40
DN15	3/4"				50
DN20	1"				

**Terminal Unit Valves**
**V5000**

Ordering Codes*	Compression fitting kit**	Body Size	Kvs (Control port)	Kvs (By-pass port)	Close-off Pressure (kPa)	
<b>2-way configuration</b>						
V5210ZC	---	DN10	0.16	---	400	
V52x0BC			0.4			
V52x0CC			0.63			
V52x0DC			1			
V52x0EC			1.6			
V5210JC	•	DN15	2.5	---	110	
V5210KC		DN15	3.5			
V5210MC		DN20	4.5			
<b>3-way Mixing/Diverging Configuration</b>						
V5810BC	---	DN10	0.4	0.3	120	
V5810CC			0.63	0.4		
V5810DC			1	0.63		
V5810EC			1.6	1		
V5810JC		DN15	2.5	1.6	150	
V5810KC			4	2.5		
V5810MC			DN20	5		3.5
<b>3-way Mixing/Diverging with built-in bypass Configuration</b>						
V55x0BC	---	DN10	0.4	0.3	180	
V55x0CC			0.63	0.4		
V55x0DC			1	0.63		
V55x0EC			1.6	1		
V5510JC	•	DN15	2.5	1.6	150	
V5510KC		DN15	4	2.5		
V5510MC		DN20	5	3.5		

**Notes**

- \* **x = 1:** BSPP  
**x = 9:** Compression fitting

- \*\* Compression fitting kit available for DN15 and DN20

**DN15:** 0378145015  
**DN20:** 0378145020

## HVAC CONTROL PRODUCTS

### Valves

## Terminal Unit Valves

### VG6000

DN15...25, PN16

These valves are primarily designed to regulate the flow of water in response to the demand of a controller in zone and terminal unit applications.

Following actuators are available:

VA-7070 ON/OFF thermal;

VA-709x thermal 0...10 VDC;

VA-748x floating and proportional electric.



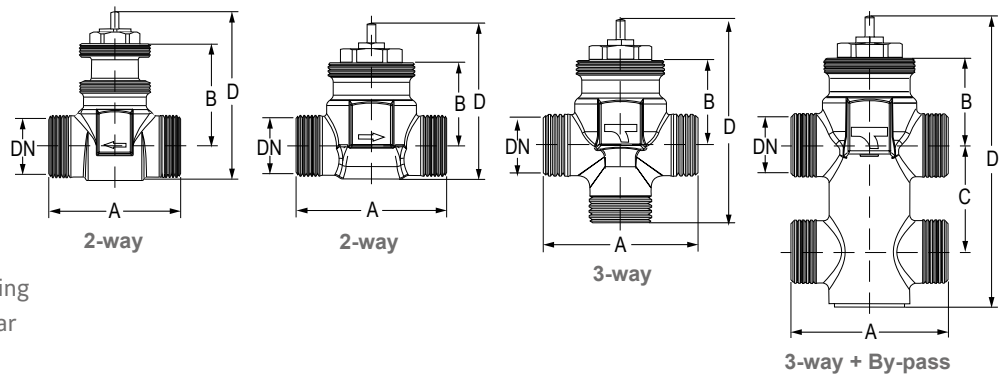
VG6000 2-way

VG6000 3-way

VG6000 3-way  
+ Bypass

### Features

- Forged brass body
- Kvs 0.4...4.5
- 2-way PDTC (normally open), 3-way mixing and diverting, 3-way mixing and diverting with built-in bypass configurations
- Fluid temperature 2...110 °C
- BSPB threaded body connection
- Inherent flow characteristic: quick opening
- High close off pressure model up to 5 bar



### Dimensions in mm

Ordering Codes	Body Size	Dimensions in mm		
		A	B	D
<b>2-way PDTC Configuration</b>				
VG6210BC <b>NEW!</b>	DN15	52	29	51
VG6210CC <b>NEW!</b>				
VG6210DC <b>NEW!</b>				
VG6210EC	DN20	56	28	56
VG6210JC				69
VG6210KC <b>NEW!</b>				77.5
VG6210LC	DN25	82	30.5	77.5
VG6310BC <b>NEW!</b>	DN15	52	44.7	70
VG6310CC <b>NEW!</b>				
VG6310DC <b>NEW!</b>				
VG6310EC <b>NEW!</b>	DN20	56	43.7	72
VG6310JC <b>NEW!</b>				
VG6310KC <b>NEW!</b>				
VG6310LC <b>NEW!</b>	DN25	82	46.2	78

Ordering Codes	Body Size	Dimensions in mm			
		A	B	C	D
<b>3-way Mixing and Diverting with built-in by-pass</b>					
VG6510BC <b>NEW!</b>	DN15	52	29	---	68.5
VG6510CC <b>NEW!</b>					
VG6510DC <b>NEW!</b>					
VG6510EC	DN20	56	28	---	69.5
VG6510JC					86
VG6510KC <b>NEW!</b>					92.5
VG6510LC	DN25	82	38	---	92.5
<b>3-way Mixing and Diverting Configuration</b>					
VG6810BC <b>NEW!</b>	DN15	52	29	13.5	102.5
VG6810CC <b>NEW!</b>					
VG6810DC <b>NEW!</b>					
VG6810EC	DN20	56	28	13.5	104.5
VG6810JC					114.5
VG6810KC <b>NEW!</b>					142
VG6810LC	DN25	82	30.5	---	142

## HVAC CONTROL PRODUCTS Valves

### Terminal Unit Valves

#### VG6000

Ordering Codes	Body Size	Connection Size	Kvs (Control port)	Kvs (By-pass port)	Close-off pressure (kPa)
<b>2-way PDTC Configuration</b>					
VG6210BC <b>NEW!</b>	DN15	1/2"	0.4	---	250
VG6210CC <b>NEW!</b>			0.63		
VG6210DC <b>NEW!</b>			1.0		
VG6210EC			1.7		
VG6210JC	DN20	3/4"	2.6		150
VG6210KC <b>NEW!</b>			4.0		
VG6210LC	DN25	1"	4.5		70
<b>2-way PDTC Configuration</b>					
VG6310BC <b>NEW!</b>	DN15	1/2"	0.4	---	500
VG6310CC <b>NEW!</b>			0.63		
VG6310DC <b>NEW!</b>			1.0		
VG6310EC <b>NEW!</b>			1.7		
VG6310JC <b>NEW!</b>	DN20	3/4"	2.6		150
VG6310KC <b>NEW!</b>			4.0		
VG6310LC <b>NEW!</b>	DN25	1"	4.5		70
<b>3-way Mixing and Diverting with built-in by-pass</b>					
VG6510BC <b>NEW!</b>	DN15	1/2"	0.4	0.35	250
VG6510CC <b>NEW!</b>			0.63	0.56	
VG6510DC <b>NEW!</b>			1.0	0.86	
VG6510EC			1.7	1.2	
VG6510JC	DN20	3/4"	2.5	1.6	150
VG6510KC <b>NEW!</b>			4.0	1.7	
VG6510LC	DN25	1"	4.5	3.1	70
<b>3-way Mixing and Diverting Configuration</b>					
VG6810BC <b>NEW!</b>	DN15	1/2"	0.4	0.35	250
VG6810CC <b>NEW!</b>			0.63	0.56	
VG6810DC <b>NEW!</b>			1.0	0.86	
VG6810EC			1.7	1.2	
VG6810JC	DN20	3/4"	2.5	1.6	150
VG6810KC <b>NEW!</b>			4.0	1.7	
VG6810LC	DN25	1"	4.5	3.1	70