

HVAC CONTROL PRODUCTS

Thermostats

Electric Fan Coil Thermostat

T125-E

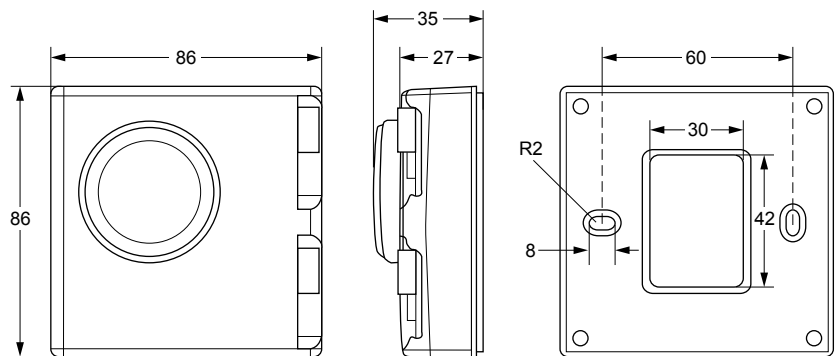
Analog Fan Coil Thermostats

T125 Electric Fan Coil Thermostats are designed to control heating, cooling, or air conditioning unit in Commercial, Industrial and Residential Installation.

Typical application includes the control of fan coil units, packaged terminal air conditioners and combination heating and cooling equipment. As part of the system that consists of a two-way or three-way valve and a multi-speed line voltage fan.

Features

- 220 V power supply
- Heating and Cooling mode
- 2-4 pipes configuration
- 3-speed fan override
- 86 x 86 mm room enclosures
- Temperature dial ranges 10...30 °C
- Relay output max. 5A



Dimensions in mm

Ordering Codes	Built-in NTC	Setpoint Range	2 pipes (Heating or Cooling)	4 pipes (Heating and Cooling)	Outputs	
					PAT	On/Off
T125BAC-JS0-E	●	10...30 °C	●	---	●	●
T125FAC-JS0-E			---	●	---	●

HVAC CONTROL PRODUCTS

Thermostats

Electric Fan Coil Thermostat

T5000-E

Digital Fan Coil Thermostats

T5000 LCD Digital Fan Coil Thermostats are designed to control heating, cooling, or year round air conditioning unit in Commercial, Industrial and Residential Installation. Typical Application includes the control of fan coil units, packaged terminal airconditioners and combination heating and cooling equipment. As part of the system that consists of a two-way or three-way valve and a multi-speed line voltage fan. These aesthetic design thermostat features with Backlit Liquid Crystal Display (LCD); an attractive white color in a compact size complements any decor.

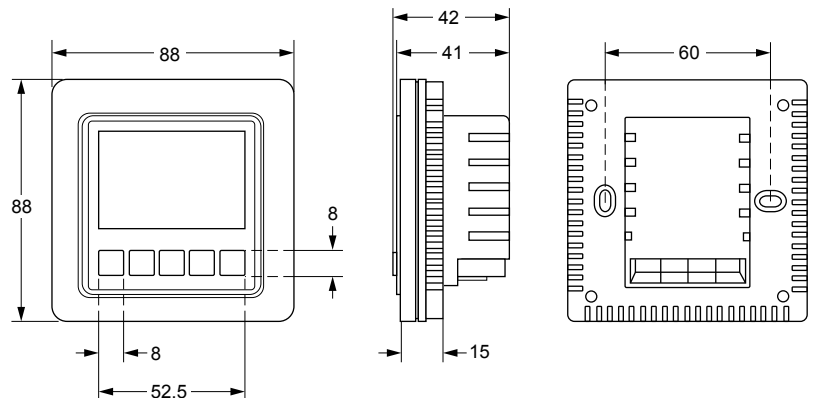
The thermostat does not require any battery backup as setpoint and other parameters are stored in nonvolatile memory.

The intuitive operation makes the thermostat very user-friendly.



Features

- 85...260 VAC power supply
- Heating and Cooling mode
- 2-4 pipes configuration
- 3-speed fan override
- 88 x 88 mm room enclosures
- Setpoint Temperature 10...30 °C
- °C & °F Changeable
- Relay output max. 5A
- Occupancy Mode



Dimensions in mm

Ordering Codes	Built-in NTC	Occupancy Mode	Setpoint Range	2 pipes (Heating or Cooling)	4 pipes (Heating and Cooling)	Outputs	
						PAT	On/Off
T5200-TB-9JS0-E	●	●	10...30°C	●	---	●	●
T5200-TF-9JS0-E	●	---		---	●	---	●

HVAC CONTROL PRODUCTS

Thermostats

Electric Fan Coil Thermostat

T8200







Touch Screen Thermostat

T8200-Txx0-9JS0/9JR0 Touch Screen Thermostats, are designed to control heating and cooling through air conditioning unit in Commercial, Industrial and Residential Installation.

Typical applications include the control of fan coil units, packaged terminal air conditioners and combination of heating and cooling equipment. As part of the system, T8000 controls a two-way or three-way valve and a multi-speed line voltage fan.

T8000 features with large LCD screen display, and displays the status of work mode (cooling / floor, heating / heating / floor, heating & heating / air venting), fan speed, indoor temperature and set temperature etc..

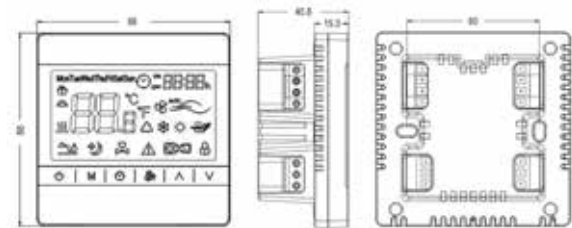
Capacitance touch screen enhances the fluency on operation.

Keypad includes: Power on/off  Mode selection , Fan Speed Selection , Clock/Timer  and two Adjustment buttons  & .

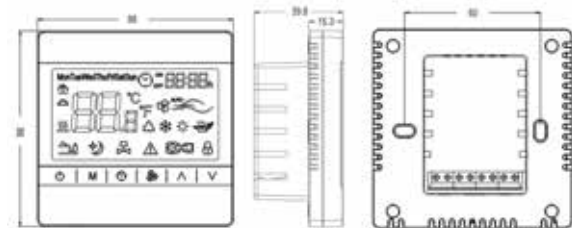


Features

- Touch screen
- Backlit Liquid Crystal Display (LCD)
- 6 Function Keys
- Appearance
- Energy Saving
- Installation, Service and Maintenance



T8200-TF20-8JR0 / T8200-TF20-8JS0



Dimensions in mm

Ordering Codes	Built-in NTC	Occupancy Mode	Setpoint Range	2 pipes (Heating or Cooling)	4 pipes (Heating and Cooling)	On/Off
T8200-TBE0-9JR0	•	---	5...35 °C	•	---	•
T8200-TBE0-9JS0	•	•		•	---	•
T8200-TFE0-9JR0	•	---		---	•	•
T8200-TFE0-9JS0	•	•		---	•	•

HVAC CONTROL PRODUCTS
Thermostats

Programmable Networked

TEC2000

Room Thermostat

The TEC2000 series thermostat is a networked small equipment controller providing N2, BACnet® MS/TP and LonWORKS® communicating options. It offers equipment control from a single product: thermostat, controller and temperature sensor.

The TEC series staged controllers can be used with rooftop units (with and without economizers), heat pumps and single- and multi-stage heating/cooling equipment.

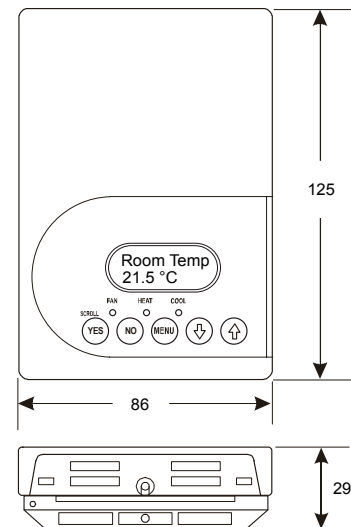
The TEC2x45, TEC2x6 and TEC2x7 series controllers are available for commercial and hospitality applications, including cabinet unit heaters, perimeter heating/cooling, zoning and fan coil units.

They provide control of various two- and four-pipe fan coil equipment, have options for one- to three-speeds of fan control and offer additional application flexibility by providing advanced control signals – proportional 0 to 10 VDC, ON/OFF, or floating.

All TEC2000 models have two configurable binary inputs for advanced functions and features over 20 configurable parameters, which enable the thermostat to be customized for any application.

The thermostats features a two-line, eight-character backlit LCD display with status texts in English.

Models with display texts in other languages are available on special requests. For easy programming and commissioning, all controllers are pre-programmed and may be configured directly using the local display and keyboard eliminating the need for separate tools.



Dimensions in mm

HVAC CONTROL PRODUCTS

Thermostats

Programmable Networked TEC2000

TEC2000 for BACnet® MS/TP Communication

Ordering Codes	Control Output	Onboard Occupancy Sensor	Dehumidification Capability	Application / Note
TEC2601-4+PIR	Single Stage	•	---	Fan Coil Units, Unit Heaters and Single-Stage Packaged Heating / Cooling Equipment
TEC2616-4	2 Outputs ON/OFF	---	---	Commercial Market
TEC2626-4	2 Outputs ON/OFF or Floating	---	---	
TEC2627-4		---	---	
TEC2636H-4+PIR		•	•	
TEC2645-4	Two-Pipe Proportional 0...10 VDC	---	---	Control of Two-Pipe Fan Coils, Cabinet Unit Heaters, or Other Equipment Using a Proportional 0...10 VDC Control Input and One-Speed Fan Control
TEC2646-4	Two Proportional 0...10 VDC	---	---	Commercial Market
TEC2646H-4	Two Proportional 0...10 VDC	---	---	Hospitality Market
TEC2646H-4+PIR	Two Proportional 0...10 VDC	•	---	
TEC2647-4	Two Proportional 0...10 VDC	---	---	
TEC2656H-4	2 Outputs 0...10 VDC	---	---	Hospitality Market

for N2 Open Communication

Ordering Codes	Control Output	Onboard Occupancy Sensor	Dehumidification Capability	Application / Note
TEC2101-4	Single Stage	---	---	Unit Heaters and Single Stage Packaged Heating / Cooling Equipment
TEC2103-4	Multi Stage	---	---	Multi Stage Packaged Heating / Cooling Equipment
TEC2104-4	Multi Stage Economizer	---	---	Economizer Operation for Single and Multi Stage Unitary Rooftop Equipment
TEC2126-4	2 Outputs ON/OFF or Floating	---	---	Commercial Market
TEC2126H-4	2 Outputs ON/OFF or Floating	---	---	Hospitality Market
TEC2127-4	2 Outputs ON/OFF or Floating	---	---	
TEC2145-4	Two-Pipe Proportional 0...10 VDC	---	---	Cabinet Unit Heaters, or Other Equipment Using a Proportional 0...10 VDC Control Input and One-Speed Fan Control
TEC2146-4	Two Proportional 0...10 VDC	---	---	Commercial Market
TEC2146H-4+PIR	Two Proportional 0...10 VDC	•	---	Hospitality Market
TEC2147-4	Two Proportional 0...10 VDC	---	---	

Programmable Networked
TEC2000

TEC2000 for LonWorks® Communication

Ordering Codes	Control Output	Application / Note
TEC2227-4	2 Outputs ON/OFF or Floating	
TEC2247-4	Two Proportional 0...10 VDC	
TEC2261-4	Single stage	Unit Heaters and Single Stage Packaged Heating / Cooling Equipment Programmable

Accessories

Ordering Codes	Description
SEN-600-1	Remote NTC K10 room temperature sensor in TEC2000 style
SEN-600-4	Remote NTC K10 room temperature sensor with occupancy override in TEC2000 style

HVAC CONTROL PRODUCTS

Thermostats

Analog Room Controller

TC-8900 and PM-8900

Room Thermostat

TC-8900 is a family of analogue controllers designed for control of fan coils with 2-pipe, 2-pipe with change-over, 2-pipe with electrical coil or 4-pipe configurations.

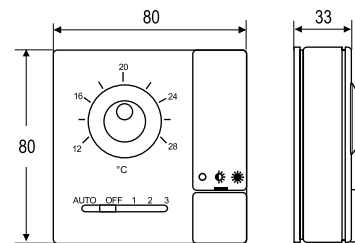
For applications without fan speed control the family includes stand alone units (TC-890x), local controllers (TC-893x) with remote setpoint module (ES-8930) and local controllers (TC-894x) with central setpoint module (ES-8940).

For applications with fan speed control the family includes the PM-8900 power modules in connection with TC-894x with or without central setpoint module (ES-8940).



Features

- 2-pipe, 2-pipe with change-over, 2-pipe with electrical coil or 4-pipe configurations with and without 3-speed fan override
- 80 x 80 mm room enclosures
- Temperature dial ranges 12...28 °C, +/-
- 24 VAC power supply for the TC-8900 controls, 230 VAC in connection the the PM-8900 power module



Dimensions in mm

TC-890x Stand Alone Controllers

Ordering Codes	Built-in NTC K10 Sensing Element	Setpoint Range	Input	Fan Output	Outputs							
			0...10 V		PAT	0...10 V	DAT	On/Off				
TC-8903-1131-WK	•	12...28 °C	---	---	1	---	---	---				
TC-8901-2131-WK					---	2	---	---				
TC-8904-2131-WK					---	---	2	---				
TC-8906-2131-WK					---	---	---	2				
TC-8903-1132-WK					---	12...28 °C	---	---	1	---	---	---
TC-8901-2132-WK									---	2	---	---
TC-8904-2132-WK	---	---	2	---								
TC-8906-2132-WK	---	---	---	2								
TC-8903-1151-WK	•	0...40 °C	---	---	1	---	---	---				
TC-8903-1152-WK	---				1	---	---	---				
TC-8903-1183-WK	---	0...100%	•	---	1	---	---	---				
TC-8901-2183-WK					---	2	---	---				

HVAC CONTROL PRODUCTS

Thermostats

Analog Room Controller TC-8900 and PM-8900

TC-893x Local Controllers with ES-8930-3031-WK remote setpoint module

Ordering Codes	Built-in NTC K10 Sensing Element	Setpoint Range	Fan Output	Outputs			
				PAT	0...10 V	DAT	On/Off
TC-8933-1112-W	---	---	---	1	---	---	---
TC-8931-2112-W				---	2	---	---
TC-8934-2112-W				---	---	2	---
TC-8936-2112-W				---	---	---	2
ES-8930-3031-WK	•	12...28 °C		---	---	---	---

TC-894x Local Controllers with ES-8940 central setpoint module

Ordering Codes	Built-in NTC K10 Sensing Element	Setpoint Range	Fan Output	Outputs			
				PAT	0...10 V	DAT	On/Off
TC-8943-1141-WK	•	+/-	---	1	---	---	---
TC-8941-2141-WK				---	2	---	---
TC-8944-2141-WK				---	---	2	---
TC-8946-2141-WK				---	---	---	2
ES-8940-4130-WK	---	12...28 °C		---	---	---	---

TC-894x Local Controllers with ES-8940 central setpoint module

Ordering Codes	Built-in NTC K10 Sensing Element	Setpoint Range	Fan Output	Outputs	Power module Ordering Codes	Configuration
TC-8902-1031-WK	•	12...28 °C	3 Speed	1 x 0...10 VDC 1 x DAT 230 V 1 x DAT 24 V	PM-8902-0500 PM-8905-0300 PM-8905-0500	2 pipe with change over
TC-8907-1031-WK				1 x Relay 3A 230 V/24 V	PM-8907-0300	
TC-8902-2031-WK				2 x 0...10 VDC 2 x DAT 230 V 2 x DAT 24 V	PM-8902-0500 PM-8905-0300 PM-8905-0500	4 pipe
TC-8907-2031-WK				2 x Relay 3A 230 V/24 V	PM-8907-0300	
TC-8902-1032-WK	---	12...28 °C	3 Speed	1 x 0...10 VDC 1 x DAT 230 V 1 x DAT 24 V	PM-8902-0500 PM-8905-0300 PM-8905-0500	2 pipe with change over
TC-8907-1032-WK				1 x Relay 3A 230 V/24 V	PM-8907-0300	
TC-8902-2032-WK				2 x 0...10 VDC 2 x DAT 230 V 2 x DAT 24 V	PM-8902-0500 PM-8905-0300 PM-8905-0500	4 pipe
TC-8907-2032-WK				2 x Relay 3A 230 V/24 V	PM-8907-0300	
TC-8942-2041-WK (only in connection with ES-8940-4130-WK)	•	+/- on local controller TC-89, 12...28 °C on ES-8940 central setpoint module	3 Speed	2 x 0...10 VDC 2 x DAT 230 V 2 x DAT 24 V	PM-8902-0500 PM-8905-0300 PM-8905-0500	4 pipe
TC-8947-2041-WK (only in connection with ES-8940-4130-WK)				2 x Relay 3A 230 V/24 V	PM-8907-0300	