

HVAC CONTROL PRODUCTS

Sensors

Plant Humidity

HT-9000

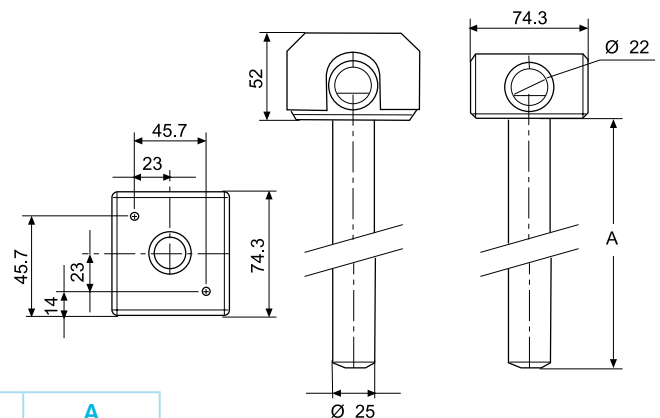
Duct Mount

The HT-9000 series measures humidity over the entire range of 0 to 100% RH (non condensing) and has a wide operating temperature range. Its fast response, reliable long-term performance makes this transmitter well suited for refrigeration and HVAC installations.

This range also includes models with an integrated temperature sensing elements.

Features

- Power supply 12...30 VDC / 24 VAC
- Humidity range 0...100% (non condensing)
- Humidity output 0...10 VDC
- Humidity accuracy 4% RH from 10 to 90% RH
- Temperature outputs 0...10 VDC, NTC K2, Pt 100, Pt 1000, A99
- Duct probes lengths 153 mm and 230 mm
- Protection class: IP30



	A
HT-90xx-UD1	153 mm
HT-90xx-UD2	230 mm

Dimensions in mm

Ordering Codes	Humidity Range	Humidity Output	Temperature Range	Temperature Output	Supply Voltage	Probe Length (mm)
HT-9000-UD1	0 to 100% RH	0 to 10 VDC	---	---	12 to 30 VDC 24 VAC +15%	153
HT-9001-UD1			0...40 °C	0...10 VDC		
HT-9003-UD1			0...40 °C	NTC K2		
HT-9005-UD1			0...60 °C	Pt100		
HT-9006-UD1			0...60 °C	Pt1000		
HT-9009-UD1			0...60 °C	A99		
HT-9000-UD2			---	---		230
HT-9001-UD2			0...40 °C	0...10 VDC		
HT-9003-UD2			0...40 °C	NTC K2		
HT-9005-UD2			0...60 °C	Pt100		
HT-9006-UD2			0...60 °C	Pt1000		
HT-9009-UD2			0...60 °C	A99		

Plant Humidity

HT-1300

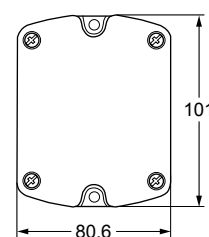
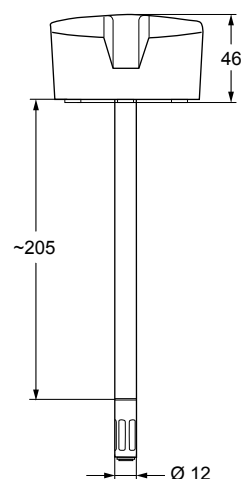
Duct Mount

NEW!
Available
in Spring 2015

Specially designed for HVAC, the HT-1300 Duct Mount Humidity Sensor is a cost effective, highly accurate and reliable solution for measuring relative air humidity and temperature.

Features

- Power supply 15...35 VDC / 24 VAC \pm 20%
- Humidity range 0...100%
- Humidity output 0...10 VDC
- Humidity accuracy 2,5% from 10 to 95% RH
- Temperature outputs 0...10 VDC, Pt 1000
- Duct probes length 200 mm
- Protection class: IP65
- Inspection Certificate according EN 10204:2004



Dimensions in mm

Ordering Codes	Humidity Range	Humidity Output	Temperature Range	Temperature Output	Supply Voltage
HT-1301-UD1	0 to 100% RH	0 to 10 VDC	-15...60 °C	0...10 VDC	15 to 35 VDC 24 VAC \pm 20%
HT-1306-UD1				Pt1000 DIN A	

HVAC CONTROL PRODUCTS
Sensors

Room Humidity

HT-1000

Wall Mount

The HT-1000 series room humidity sensors provide active sensing of relative humidity and on specific models, also active/passive sensing of temperature in HVAC applications.

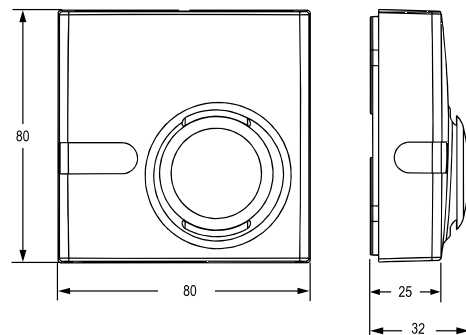
It features a polymer capacitance humidity sensing element and provides within either $\pm 2\%$ or $\pm 4\%$ accuracy a voltage output signal proportional 0 to 100% relative humidity.

The HT-1000 series room humidity sensors are designed for use with Johnson Controls System 91 and Facility Explorer controllers or for other systems having compatible input and output voltages.



Features

- Supply voltage: 15 VAC / 24 VAC
- Output RH%: 0...10 VDC
- Output Temperature: 0...10 VDC, NTC K2, Pt1000
- Protection class: IP30



Dimensions in mm

Ordering Codes	Humidity Range	Humidity Output	Humidity Accuracy	Temperature Range	Temperature Output	Supply Voltage
HT-1201-UR	0...100% RH	0...10 VDC	$\pm 2\%$	0...40°C	0...10 VDC	12 to 30 VDC 24 VAC $\pm 15\%$
HT-1300-UR			---	---		
HT-1301-UR			$\pm 4\%$	0...40°C	0...10 VDC	
HT-1303-UR					NTC K2	
HT-1306-UR				0...60°C	Pt1000	