

HVAC CONTROL PRODUCTS  
Sensors

Plant Temperature

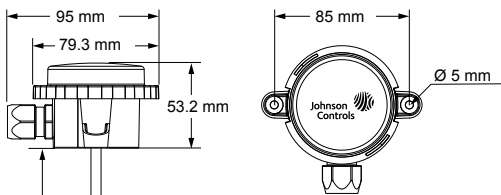
TS-6300

The TS-6300 series temperature sensors provide a passive signal that corresponds to the air or water temperature in heating, ventilating and air conditioning applications.

They a passive resistive signal NTC K2, NTC K10, Pt100 or Pt1000 related to the sensed temperature. The TS-6300 temperature sensor series has been designed to work with Metasys and System91 field controllers.

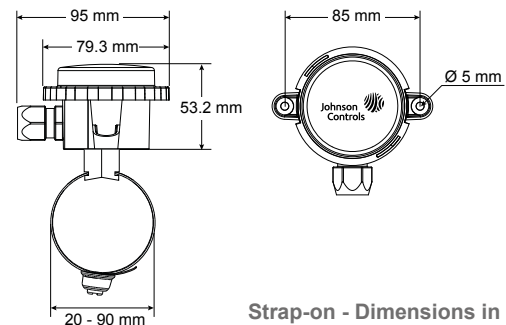
Features

- Wide range of mounting types and signal outputs
- Different length of tubes and wells for duct and immersion applications
- Bayonet mounting system
- For immersion applications, well can be mounted before duct sensor is mounted
- IP54 Ingress Protection (except cable sensor)
- IP67 Ingress Protection for cable sensor

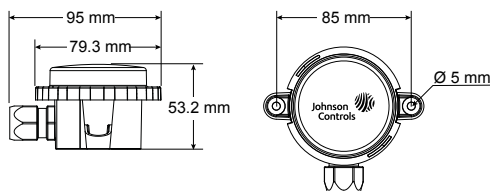


L = For this dimensions please refer to the "Ordering Codes" (next page)

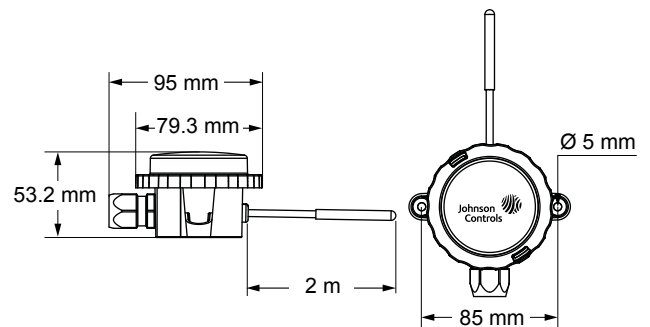
Duct and Ceiling - Dimensions in mm



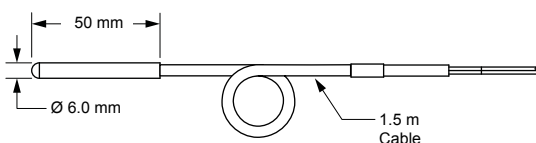
Strap-on - Dimensions in mm



Outdoor - Dimensions in mm



Remote - Dimensions in mm



Cable - Dimensions in mm

**Plant Temperature**  
**TS-6300**
**Ordering Codes**

Ordering Codes	Output	Mounting Type	Lenght (mm)		
TS-6370D-A11	0...10VDC	Duct / Immersion	138 mm		
TS-6370D-B11			192 mm		
TS-6370D-C11			290 mm		
TS-6370D-D11			446 mm		
TS-6370D-A12			138 mm		
TS-6370D-B12			192 mm		
TS-6370D-C12			290 mm		
TS-6370D-D12			446 mm		
TS-6370D-A13			138 mm		
TS-6370D-B13			192 mm		
TS-6370D-C13			290 mm		
TS-6370D-D13			446 mm		
TS-6370D-A14			138 mm		
TS-6370D-B14			192 mm		
TS-6370D-C14			290 mm		
TS-6370D-D14			446 mm		
TS-6330D-A10	2K2 NTC	Duct / Immersion	138 mm		
TS-6330D-B10			192 mm		
TS-6330D-C10			290 mm		
TS-6330D-D10			446 mm		
TS-6340D-A10	10K NTC		138 mm		
TS-6340D-B10			192 mm		
TS-6340D-C10			290 mm		
TS-6340D-D10			446 mm		
TS-6350D-A10	Pt100		138 mm		
TS-6350D-B10			192 mm		
TS-6350D-C10			290 mm		
TS-6350D-D10			446 mm		
TS-6360D-A10	Pt1000		138 mm		
TS-6360D-B10			192 mm		
TS-6360D-C10			290 mm		
TS-6360D-D10			446 mm		
TS-6370R-F01	0...10VDC	Remote Sensor	2 m cable lenght		
TS-6370R-F03					
TS-6370R-F04					
TS-6330K-F00	2K2 NTC	Cable Sensor	2 m cable lenght		
TS-6340K-F00	10K NTC				
TS-6360K-F00	Pt1000				
TS-6370E-001	0...10VDC	Outdoor	---		
TS-6370E-002		Outdoor	---		
TS-6330E-000				2K2 NTC	
TS-6340E-000				10K NTC	
TS-6350E-000	Pt100				
TS-6360E-000	Pt1000				
TS-6370S-002	0...10VDC	Strap-on	---		
TS-6370S-004					
TS-6330S-000				2K2 NTC	
TS-6340S-000				10K NTC	
TS-6350S-000	Pt100	Strap-on	---		
TS-6360S-000	Pt1000				
TS-6370C-E13	0...10VDC			Ceiling	36 mm
TS-6330C-E10	2K2 NTC			Ceiling	36 mm
TS-6340C-E10	10K NTC				
TS-6350C-E10	Pt100				
TS-6360C-E10	Pt1000				

Plant Temperature  
TS-6300

**Accessories - Ordering Codes**

Ordering Codes	Material	Mounting Thread	Lenght (mm)
TS-6300W-E200	Brass/Copper	R 1/2"	50
TS-6300W-F200			120
TS-6300W-G200			150
TS-6300W-H200			200
TS-6300W-I200			260
TS-6300W-E300	Stainless Steel	R 1/2"	50
TS-6300W-F300			120
TS-6300W-G300			150
TS-6300W-H300			200
TS-6300W-I300			260
TS-6300W-E400		G 1/2"	50
TS-6300W-F400			120
TS-6300W-G400			150
TS-6300W-H400			200
TS-6300W-I400			260
TS-6300D-000	Duct Flange Kit		
TS-6300W-900	Retrofitting Thermowell Adapter Kit		

## HVAC CONTROL PRODUCTS

### Sensors

## Plant Temperature

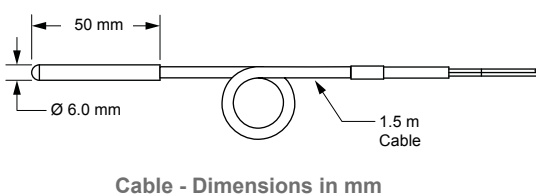
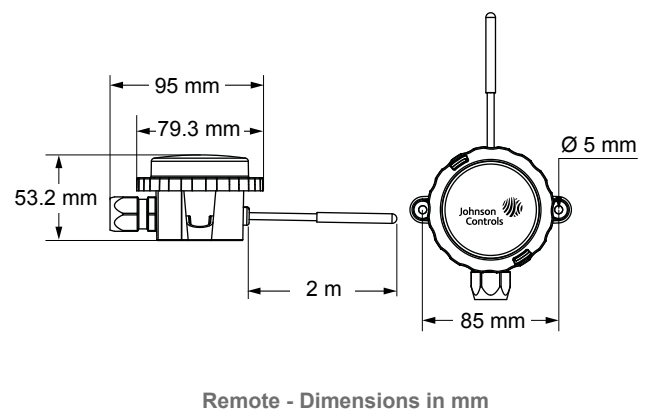
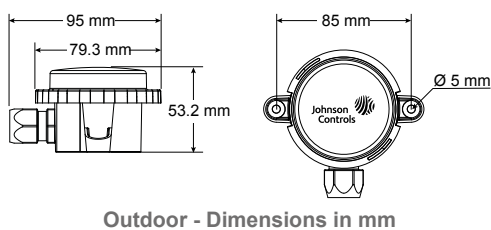
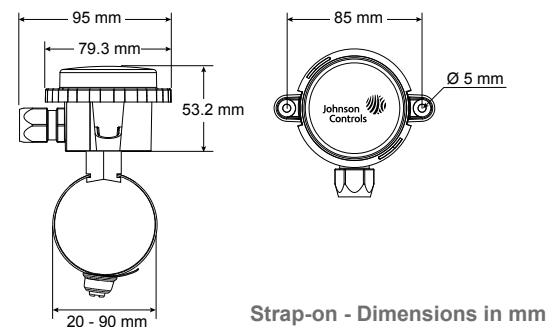
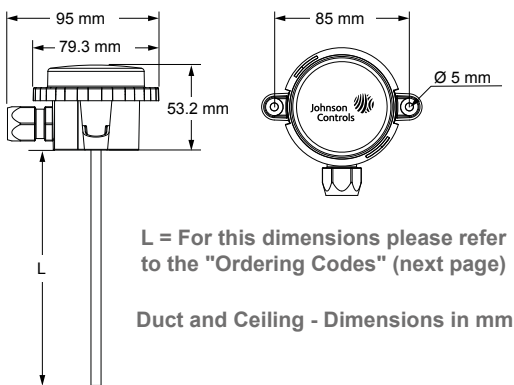
### TS-6300

The TS-6300 series temperature sensors provide a passive signal that corresponds to the air or water temperature in heating, ventilating and air conditioning applications.

They a passive resistive signal NTC K2, NTC K10, Pt100 or Pt1000 related to the sensed temperature. The TS-6300 temperature sensor series has been designed to work with Metasys and System91 field controllers.

#### Features

- Wide range of mounting types and signal outputs
- Different length of tubes and wells for duct and immersion applications
- Bayonet mounting system
- For immersion applications, well can be mounted before duct sensor is mounted
- IP54 Ingress Protection (except cable sensor)
- IP67 Ingress Protection for cable sensor



**Plant Temperature**  
**TS-6300**
**Ordering Codes**

Ordering Codes	Output	Mounting Type	Length (mm)	
TS-6370D-A11	0...10VDC	Duct / Immersion	138 mm	
TS-6370D-B11			192 mm	
TS-6370D-C11			290 mm	
TS-6370D-D11			446 mm	
TS-6370D-A12			138 mm	
TS-6370D-B12			192 mm	
TS-6370D-C12			290 mm	
TS-6370D-D12			446 mm	
TS-6370D-A13			138 mm	
TS-6370D-B13			192 mm	
TS-6370D-C13			290 mm	
TS-6370D-D13			446 mm	
TS-6370D-A14			138 mm	
TS-6370D-B14			192 mm	
TS-6370D-C14			290 mm	
TS-6370D-D14			446 mm	
TS-6330D-A10	2K2 NTC	Duct / Immersion	138 mm	
TS-6330D-B10			192 mm	
TS-6330D-C10			290 mm	
TS-6330D-D10			446 mm	
TS-6340D-A10	10K NTC		138 mm	
TS-6340D-B10			192 mm	
TS-6340D-C10			290 mm	
TS-6340D-D10			446 mm	
TS-6350D-A10	Pt100		138 mm	
TS-6350D-B10			192 mm	
TS-6350D-C10			290 mm	
TS-6350D-D10			446 mm	
TS-6360D-A10	Pt1000		138 mm	
TS-6360D-B10			192 mm	
TS-6360D-C10			290 mm	
TS-6360D-D10			446 mm	
TS-6370R-F01	0...10VDC	Remote Sensor	2 m cable length	
TS-6370R-F03				
TS-6370R-F04				
TS-6330K-F00	2K2 NTC	Cable Sensor	2 m cable length	
TS-6340K-F00	10K NTC			
TS-6360K-F00	Pt1000			
TS-6370E-001	0...10VDC	Outdoor	---	
TS-6370E-002				
TS-6330E-000				Outdoor
TS-6340E-000				
TS-6350E-000				
TS-6360E-000				
TS-6370S-002	0...10VDC	Strap-on	---	
TS-6370S-004				
TS-6330S-000				Strap-on
TS-6340S-000				
TS-6350S-000				
TS-6360S-000				
TS-6370C-E13	0...10VDC	Ceiling	36 mm	
TS-6330C-E10	2K2 NTC	Ceiling	36 mm	
TS-6340C-E10	10K NTC			
TS-6350C-E10	Pt100			
TS-6360C-E10	Pt1000			

Plant Temperature  
TS-6300

**Accessories - Ordering Codes**

Ordering Codes	Material	Mounting Thread	Lenght (mm)
TS-6300W-E200	Brass/Copper	R 1/2"	50
TS-6300W-F200			120
TS-6300W-G200			150
TS-6300W-H200			200
TS-6300W-I200			260
TS-6300W-E300	Stainless Steel	R 1/2"	50
TS-6300W-F300			120
TS-6300W-G300			150
TS-6300W-H300			200
TS-6300W-I300			260
TS-6300W-E400		G 1/2"	50
TS-6300W-F400			120
TS-6300W-G400			150
TS-6300W-H400			200
TS-6300W-I400			260
TS-6300D-000	Duct Flange Kit		
TS-6300W-900	Retrofitting Thermowell Adapter Kit		

## HVAC CONTROL PRODUCTS

### Sensors

## Pressure

### PT-5217

*Liquid or Air Pressure Transmitter*

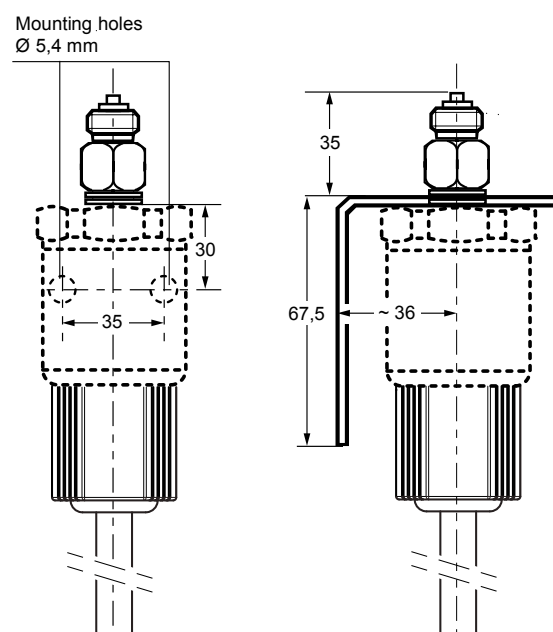
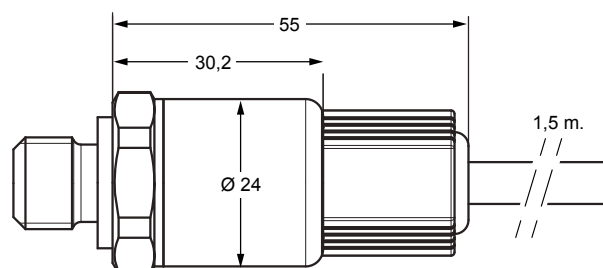
The PT-5217 pressure transmitter accurately measures pressure and converts the measurement into a standard proportional 0...10 V signal.

The PT-5217 is especially adapted to measure relative and absolute pressure of liquid and gases.

The pressure transmitter consists of a piezoresistive ceramic measuring cell with a diaphragm, installed in a stainless steel housing.

#### Features

- Compact, rugged construction
- Negligible temperature influence on accuracy
- Low hysteresis
- High accuracy
- Direct mounting, 1,5 m cable included
- Splash proof enclosure



Dimensions in mm

Ordering Codes	Operating Range	Enclosure	Supply Voltage
PT-5217-7011	0...100 kPa	IP67	24 VAC +15% / -15%, 50/60 Hz or 12...33 VDC, < 7 mA
PT-5217-7101	0...1000 kPa		

#### Accessories (order separately)

Ordering Codes	Description
EQ-6056-7000	Mounting kit for plastic hose 4 x 6 mm
EQ-0100-7001	Mounting kit for DIN rail

## HVAC CONTROL PRODUCTS

### Sensors

## Room Humidity

### HT-1000

Wall Mount

The HT-1000 series room humidity sensors provide active sensing of relative humidity and on specific models, also active/passive sensing of temperature in HVAC applications.

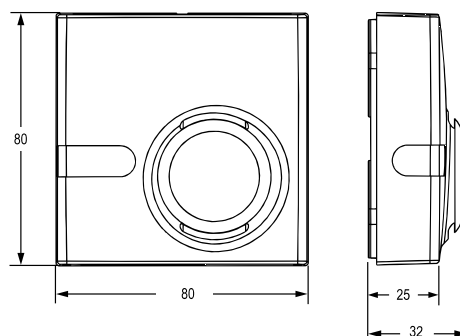
It features a polymer capacitance humidity sensing element and provides within either  $\pm 2\%$  or  $\pm 4\%$  accuracy a voltage output signal proportional 0 to 100% relative humidity.

The HT-1000 series room humidity sensors are designed for use with Johnson Controls System 91 and Facility Explorer controllers or for other systems having compatible input and output voltages.



#### Features

- Supply voltage: 15 VAC / 24 VAC
- Output RH%: 0...10 VDC
- Output Temperature: 0...10 VDC, NTC K2, Pt1000
- Protection class: IP30



Dimensions in mm

Ordering Codes	Humidity Range	Humidity Output	Humidity Accuracy	Temperature Range	Temperature Output	Supply Voltage
HT-1201-UR	0...100% RH	0...10 VDC	$\pm 2\%$	0...40°C	0...10 VDC	12 to 30 VDC 24 VAC $\pm 15\%$
HT-1300-UR			---	---		
HT-1301-UR			$\pm 4\%$	0...40°C	0...10 VDC	
HT-1303-UR					NTC K2	
HT-1306-UR					Pt1000	



## HVAC CONTROL PRODUCTS

### Sensors

## Room Temperature

### RS-1100

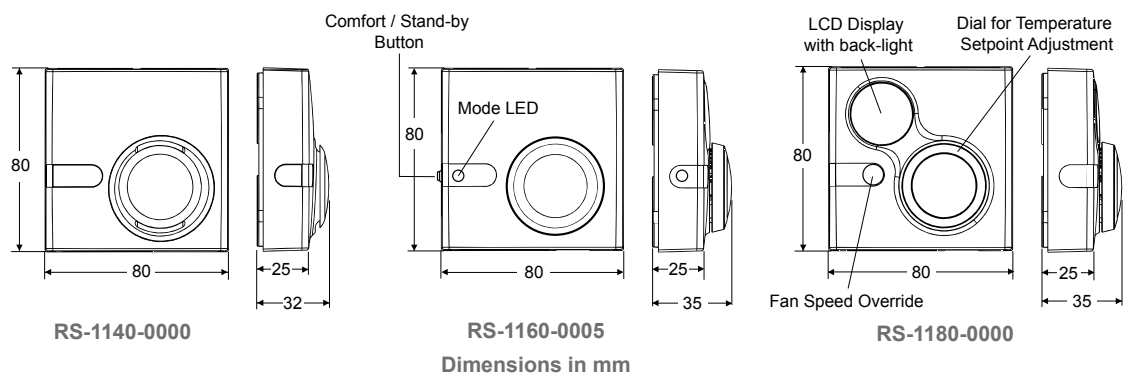
#### Room Command Module

The RS-1100 room command modules are designed for use with Facility Explorer series or System 91 controllers from Johnson Controls and provides a 0...10 V signal directly proportional to the sensed temperature.

Models are available with and without LCD display, room temperature setpoint adjustment dial and temporary occupied override function and fan speed button.

#### Features

- Power supply  
15 VDC (all models)  
24 VAC/VDC (only models with display)
- 0...10 VDC temperature output
- Remote temperature setpoint adjustment,
- Occupancy override function, (models with or without display)
- Room enclosures 80 x 80 mm
- Protection class: IP30
- Fan speed button



Ordering Codes	Temperature Output	LCD Display	Setpoint Dial Scale	Temporary Occupancy Override Function	Fan speed Selection
RS-1140-0000	0...10 VDC	---	---	---	---
RS-1160-0000		---	12...28 °C	Pushbutton	---
RS-1160-0005		---	+/-		---
RS-1180-0000		●	12...28 °C	Integrated	---
RS-1180-0005		●	+/-		---
RS-1190-0000		---	12...28 °C	---	---
RS-1190-0005		---	+/-		---
RS-1180-0002		●	12...28 °C	Integrated	●
RS-1180-0007		●	+/-	Integrated	●

#### Accessories (order separately)

Ordering Codes	Description
TM-1100-8931	Plastic surface mounting kit
TM-9100-8900	Special tool for opening enclosure

## HVAC CONTROL PRODUCTS

### Sensors

## Room Temperature

### TE-7000

#### Room Command Module

The TE-7000 room command module is designed for use with the VMA1400 series VAV Modular Assembly.

The module has an NTC temperature sensor, a dial for setpoint adjustment within the range of 12 to 28°C or -3 to +3K, and an occupancy button with an LED indicator.

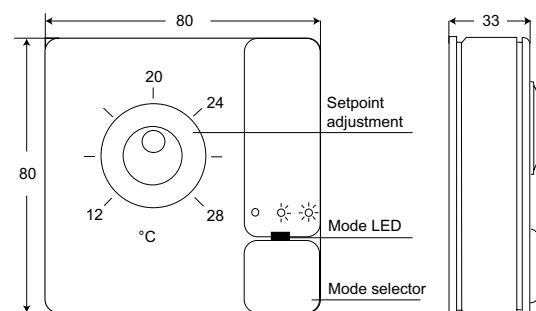
If the VAV controller is not already in occupied mode, as shown by the LED indicator, the occupant may press the occupancy button to obtain comfort control for a set period of time, normally defaulted to one hour.

The module also has a built-in connector for a PC with the software to test and commission the VMA1400 series VAV Modular Assembly and the air supply system.



#### Features

- Power supply: Power from VMA1400
- Temperature sensor: NTC K2
- Occupancy override button
- Protection class: IP30
- Remote setpoint adjustment



Dimensions in mm

Ordering Codes	Color	Setpoint Dial Range
<b>TE-7000-8002</b>	Off-White / Gray Base	12 to 28 °C
<b>TE-7000-8002-W</b>	White / White Base	
<b>TE-7000-8003</b>	Off-White / Gray Base	-3 to +3 K
<b>TE-7000-8003-W</b>	White / White Base	

#### Note

Add **"-K"** to code for setpoint dial with serrated edge, e.g. TE-7000-8002-K, TE-7000-8002-WK

#### Accessories (order separately)

Ordering Codes	Description
<b>TE-7000-8900</b>	Service tool connector cable (1.5 m) (for use with IU-9100 converter)
<b>TM-9100-8900</b>	Special tool (to open module)
<b>TM-9100-8901</b>	Dial-Stop screws kit (bag of 100 self-tapping screws)
<b>TM-9100-8902</b>	Serrated knob kit (bag of 10 knobs) - Off-white
<b>TM-9100-8902-W</b>	Serrated knob kit (bag of 10 knobs) - white

## HVAC CONTROL PRODUCTS

### Sensors

## Room Temperature

### TM-1100

#### Room Command Module

The TM-1100 series of room command modules are designed for use with the TC-9102, TC-9109 and TCU series of DDC terminal unit controllers.

The setpoint dial enables the room occupant to adjust the working set point of the controller within the range of 12...28 °C or -3...+3°, according to the model number.

The occupancy button enables the occupant to switch the mode of operation of the controller between COMFORT and STANDBY or to request a temporary COMFORT mode during NIGHT operation.

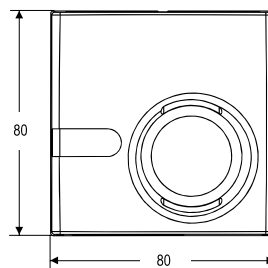
A LED indicator shows the current operating mode.

For TC-9102 and TCU fan coil unit controllers, a room command module with a 3-speed fan override is available. Models without a temperature sensing element are provided for application where the temperature sensor is mounted inside the fan coil unit.

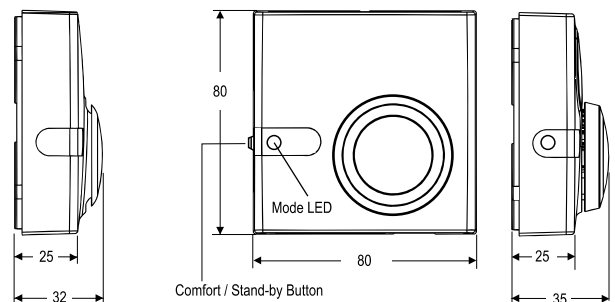


#### Features

- Passive sensor
- NTC K2 temperature output
- Remote temperature setpoint adjustment
- 3-speed fan override
- Occupancy override button
- Room enclosures 80 x 80 mm
- Protection class: IP30



TM-1140-0000



TM-1160-0007 and TM-1170-0007

Dimensions in mm

Ordering Codes	Built-in Sensing Element	Temperature Setpoint Dial Scale	Fan Speed Override	Occupancy Button
TM-1140-0000	NTC K2	---	---	---
TM-1150-0000		12-28°C		3-Speed Fan Override
TM-1160-0000		+/-		
TM-1160-0005		12-28°C		
TM-1160-0007		Without	+/-	---
TM-1170-0005	3-Speed Fan Override			
TM-1170-0007	---			
TM-1190-0000	NTC K2	12-28°C	---	---
TM-1190-0005		+/-		

#### Accessories (order separately)

Ordering Codes	Description
TM-1100-8931	Plastic base for surface mount
TE-9100-8501	Unit Mount NTC K2 Temperature Sensor (1.5 m Cable)
TM-9100-8900	Special Tool for opening enclosure

## HVAC CONTROL PRODUCTS

### Sensors

## Room Temperature

### TM-2100

#### Room Command Module

The TM-2100 series of room command modules are designed for use with the FCC and Facility Explorer series of DDC terminal unit controllers. The setpoint dial enables the room occupant to adjust the working set point of the controller within the range of 12...28 °C or -3...+3°, according to the model number.

The occupancy button enables the occupant to switch the mode of operation of the controller between COMFORT and STANDBY or to request a temporary COMFORT mode during NIGHT operation.

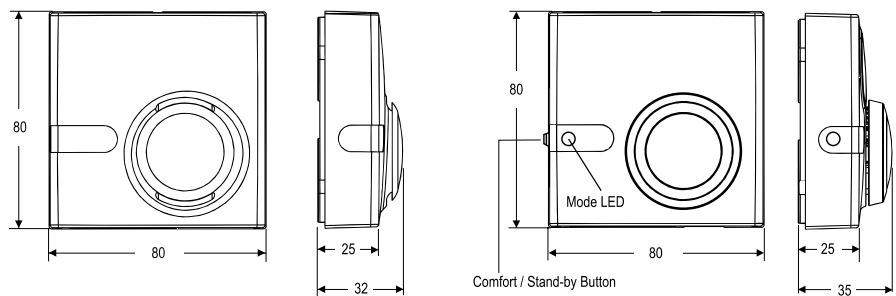
A LED indicator shows the current operating mode.

A Room Command Module with a 3-speed fan override adjuster is available.



#### Features

- Passive Sensor
- NTC 10K Temperature Output
- Remote Temperature Setpoint adjustment
- 3-speed fan override
- Occupancy override button
- Room enclosures 80 x 80 mm
- Protection class: IP30



TM-2140-0000

TM-2160-0007 and TM-2170-0007

Dimensions in mm

Ordering Codes	Built-in Sensing Element	Temperature Setpoint Dial Scale	Fan Speed Override	Occupancy Button
TM-2140-0000	NTC 10K	---	---	---
TM-2150-0000		---		---
TM-2160-0000		12-28 °C	3-Speed fan override	●
TM-2160-0005		+/-		
TM-2160-0002		12-28 °C		
TM-2160-0007		+/-		
TM-2190-0000		12-28 °C	---	---
TM-2190-0005		+/-		

#### Accessories (order separately)

Ordering Codes	Description
TM-1100-8931	Plastic base for surface mount
TE-9100-8502	Unit mount NTC K10 temperature sensor (1.5 m Cable)
TM-9100-8900	Special tool for opening enclosure

## HVAC CONTROL PRODUCTS

### Sensors

## Room Temperature

### TM-3100

#### Room Command Module

The TM-3100 series room temperature sensor provide passive sensing of temperature in HVAC application.

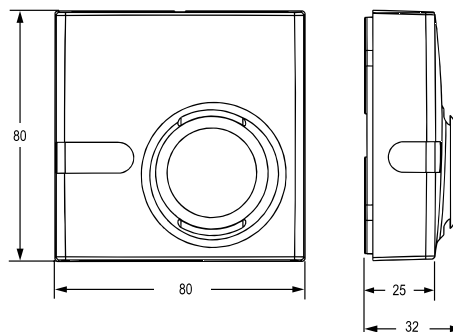
The TM-3100 is equipped with a Pt1000 class A sensing element and provides an output proportional signal to the measured ambient temperature.

The TM-3100 series room temperature sensor is designed for use with the Facility Explorer series and with the Field Equipment controller series.



#### Features

- Passive Sensor
- Pt1000
- Room enclosure: 80 x 80 mm
- Protection Class: IP30



Dimensions in mm

Ordering Codes	Built-in Sensing Element	Temperature Setpoint Dial Scale	Fan Speed Override	Occupancy Button
TM-3140-0000	Pt 1000	---	---	---

#### Accessories (order separately)

Ordering Codes	Description
TM-1100-8931	Plastic base for surface mount
TM-9100-8900	Special tool for opening enclosure

HVAC CONTROL PRODUCTS  
Sensors

## Room Temperature

## NS

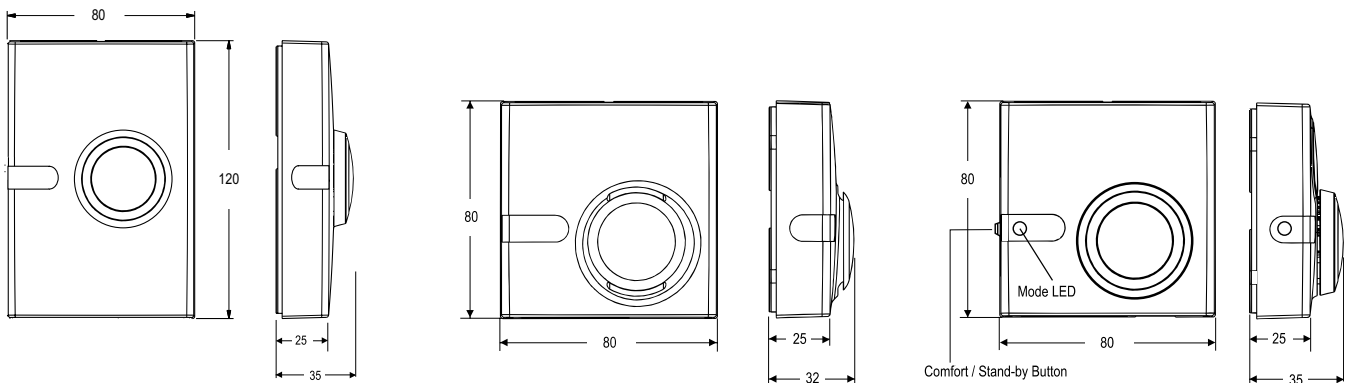
*Network Room Command Module*

The NS Series Network Sensors are designed to function directly with Metasys® system Field Equipment Controllers (FECs), Input/Output Modules (IOMs), Variable Air Volume (VAV) Modular Assembly (VMA16) Controllers.

The majority of NS Series Network Zone Sensors monitor room temperature; however, options are available to also monitor zone humidity, carbon dioxide (CO<sub>2</sub>), local temperature setpoint adjustments and other variables. This data is transmitted to a controller on the Sensor Actuator (SA) Bus.

## Features

- BACnet® Master-Slave/Token-Passing (MS/TP) protocol communication:  
provides compatibility with Metasys system field controllers and Facility Explorer programmable controllers in a proven communication network
- Backlit Liquid Crystal Display (LCD) available on some models:  
provides real-time status of the environment with backlighting activated during user interaction
- Simple temperature setpoint adjustment available on some models:  
enables to change the setpoint with the turn of a dial
- Temporary occupancy available on some models:  
provides a timed override command, which temporarily initiates an alternate mode
- Field selectable default display setting on some models:  
allows to toggle between temperature and RH on the display and set the desired default for continuous viewing
- Fahrenheit/Celsius (F/C) button available on some models:  
toggles the display temperature between degrees Celsius and degrees Fahrenheit



Dimensions in mm

## HVAC CONTROL PRODUCTS Sensors

### Room Temperature NS Series Network Room Command Module

#### Selection Charts - Network Zone Sensor Ordering Information

##### Surface Mounted - Temperature Only Models

Ordering Codes	LDC Display	Temperature Adjustment: Setpoint (Set) or Warmer/Cooler Dial (W/C)	Occupancy Override Button	PIR Occupancy Sensor	F/C Scale Toggle	Fan Control	Screw Terminals (ST) or Modular Jack (MJ)	Address Switches	VAV Balancing Feature
<b>Size - Height x Width (mm): 80 x 80</b>									
NS-ATA7001-0	•	Set	•	---	---	---	MJ	---	---
NS-ATA7002-0	•	Set	•	---	---	---	ST	---	---
NS-ATA7003-0	•	Set	•	---	---	---	ST	•	---
NS-ATB7001-0	•	Set	•	---	•	---	MJ	---	---
NS-ATB7002-0	•	Set	•	---	•	---	ST	---	---
NS-ATB7003-0	•	Set	•	---	•	---	ST	•	---
NS-ATC7001-0	•	Set	•	---	---	•	MJ	---	---
NS-ATC7002-0	•	Set	•	---	---	•	ST	---	---
NS-ATD7001-0	•	Set	•	---	•	•	MJ	---	---
NS-ATD7002-0	•	Set	•	---	•	•	ST	---	---
NS-ATF7001-0	•	W/C	•	---	•	---	MJ	---	---
NS-ATF7002-0	•	W/C	•	---	•	---	ST	---	---
NS-ATN7001-0	---	---	---	---	---	---	MJ	---	---
NS-ATN7001-2	---	---	---	---	---	---	MJ	---	---
NS-ATN7003-0	---	---	---	---	---	---	ST	•	---
NS-ATN7003-2	---	---	---	---	---	---	ST	•	---
NS-ATP7001-0	---	W/C	•	---	---	---	MJ	---	---
NS-ATP7001-2	---	W/C	•	---	---	---	MJ	---	---
NS-ATP7002-0	---	W/C	•	---	---	---	ST	---	---
NS-ATP7003-0	---	W/C	•	---	---	---	ST	•	---
NS-ATP7003-2	---	W/C	•	---	---	---	ST	•	---
NS-ATV7001-0	•	Set	•	---	•	---	MJ	•	•
NS-ATV7002-0	•	Set	•	---	•	---	ST	•	•
<b>Size - Height x Width (mm): 120 x 80</b>									
NS-MTB7001-0	•	Set	---	•	•	---	MJ	---	---
NS-MTB7002-0	•	Set	---	•	•	---	ST	---	---
NS-MTL7001-0	---	---	•	•	---	---	MJ	---	---
NS-MTL7002-0	---	---	•	•	---	---	ST	---	---

## HVAC CONTROL PRODUCTS Sensors

### Room Temperature NS Series Network Room Command Module

#### Selection Charts - Network Zone Sensor Ordering Information

##### Surface Mounted - Temperature and Humidity Models without RH Display

Ordering Codes	LDC Display	RH Display	Humidity Element Accuracy	Temperature Adjustment: Setpoint (Set) or Warmer /Cooler Dial (W/C)	Occupancy Override Button	PIR Occupancy Sensor	F/C Scale Toggle	Screw Terminals (ST) or Modular Jack (MJ)	Address Switches
<b>Size - Height x Width (mm): 80 x 80</b>									
NS-AHA7001-0	●	---	3%	Set	●	---	---	MJ	---
NS-AHA7002-0	●	---	3%	Set	●	---	---	ST	---
NS-AHB7001-0	●	---	3%	Set	●	---	●	MJ	---
NS-AHB7002-0	●	---	3%	Set	●	---	●	ST	---
NS-AHB7003-0	●	---	3%	Set	●	---	●	ST	●
NS-AHN7001-0	---	---	3%	---	---	---	---	MJ	---
NS-AHP7001-0	---	---	3%	W/C	●	---	---	MJ	---
NS-AHN7001-2	---	---	3%	---	---	---	---	MJ	---
NS-APA7001-0	●	---	2%	Set	●	---	---	MJ	---
NS-APA7002-0	●	---	2%	Set	●	---	---	ST	---
NS-APB7001-0	●	---	2%	Set	●	---	●	MJ	---
NS-APB7002-0	●	---	2%	Set	●	---	●	ST	---
NS-APB7003-0	●	---	2%	Set	●	---	●	ST	●

#### Selection Charts - Network Zone Sensor Ordering Information

##### Surface Mounted - Temperature and Humidity Models with Temperature or RH Display (Field Selectable Default Display)

Ordering Codes	LDC Display	RH Display	Humidity Element Accuracy	Temperature Adjustment: Setpoint (Set) or Warmer /Cooler Dial (W/C)	Occupancy Override Button	PIR Occupancy Sensor	F/C Scale Toggle	Screw Terminals (ST) or Modular Jack (MJ)	Address Switches
<b>Size - Height x Width (mm): 80 x 80</b>									
NS-AHR7101-0	●	●	3%	Set	●	---	●	MJ	---
NS-AHR7102-0	●	●	3%	Set	●	---	●	ST	---
NS-AHR7103-0	●	●	3%	Set	●	---	●	ST	●
NS-APR7101-0	●	●	2%	Set	●	---	●	MJ	---
NS-APR7102-0	●	●	2%	Set	●	---	●	ST	---
<b>Size - Height x Width (mm): 120 x 80</b>									
NS-MHL7001-0	---	---	3%	---	●	●	---	MJ	---
NS-MHL7002-0	---	---	3%	---	●	●	---	ST	---



**Room Temperature**  
**NS Series Network Room Command Module**
**Selection Charts - Network Zone Sensor Ordering Information**
**Surface Mounted - Temperature and Humidity Models without RH Display**

Ordering Code	CO <sub>2</sub> Measurement Range	Screw Terminals (ST) or Modular Jack (MJ)	Sensor Addressing
Size - Height x Width (mm): 120 x 80			
NS-BCN7004-0	0 to 2,000 ppm	ST / MJ	DIP switch (212 to 219)

**Selection Charts - Network Zone Sensor Ordering Information**
**Surface Mounted - Motion Detection Only Models (No Temperature or Humidity Sensing)**

Ordering Codes	LDC Display	PIR Occupancy Sensor	Screw Terminals (ST) or Modular Jack (MJ)	Address Switches
Size - Height x Width (mm): 120 x 80				
NS-MNN7001-0	---	•	MJ	---
NS-MNN7003-0	---	•	ST	•

**Network Discharge Air Sensor**

Product Codes	Description
NS-DTN7043-0	102 mm probe length, Screw terminal, Address switches
NS-DTN7083-0	203 mm probe length, Screw terminal, Address switches

**Network Sensor Flush-Mount Temperature Only**

Product Codes	Faceplate Dimensions (H x W)	Mounting	LCD Display	Temperature Measurement Range	Johnson Controls Logo	Terminations	Sensor Addressing
NS-FTN7003-0	114 x 70 mm	Flush-Mount	---	0°C to 40°C	•	Screw Terminal Block	DIP Switch (200 to 203)